

MONOCLE

FX TYPE: Distortion

Based on the Marshall® The Guv'nor™

Enclosure Size: 1590B

"Softie" compatibility: none

© 2023 [madbeanpedals](https://www.madbeanpedals.com)



Overview

From Electrosplash:

"The Guv'nor was the first guitar pedal designed by Marshall, released in 1988 and in production during 4 years. This overdrive/distortion Made in England effect replicates the classic tube Marshall Amp sound into compact and solid state box featuring a sustainable gain with a touch of compression. There are later Guv'nor MK2 models in a different enclosure, but most people prefer the sound of the original discontinued model."

Overview and analysis on the Electrosplash website:

<https://www.electrosplash.com/marshall-guvnor-analysis>

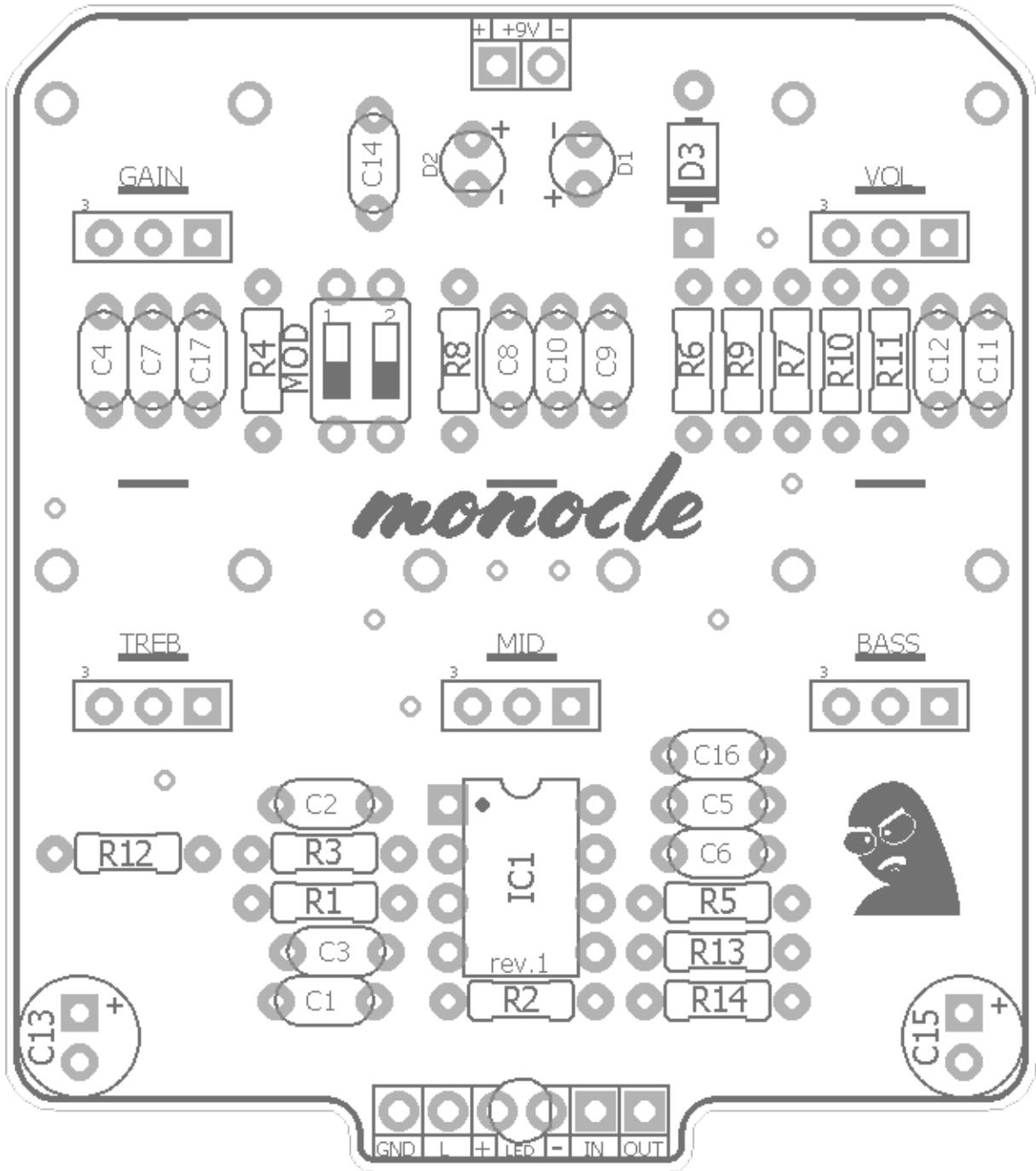
Controls

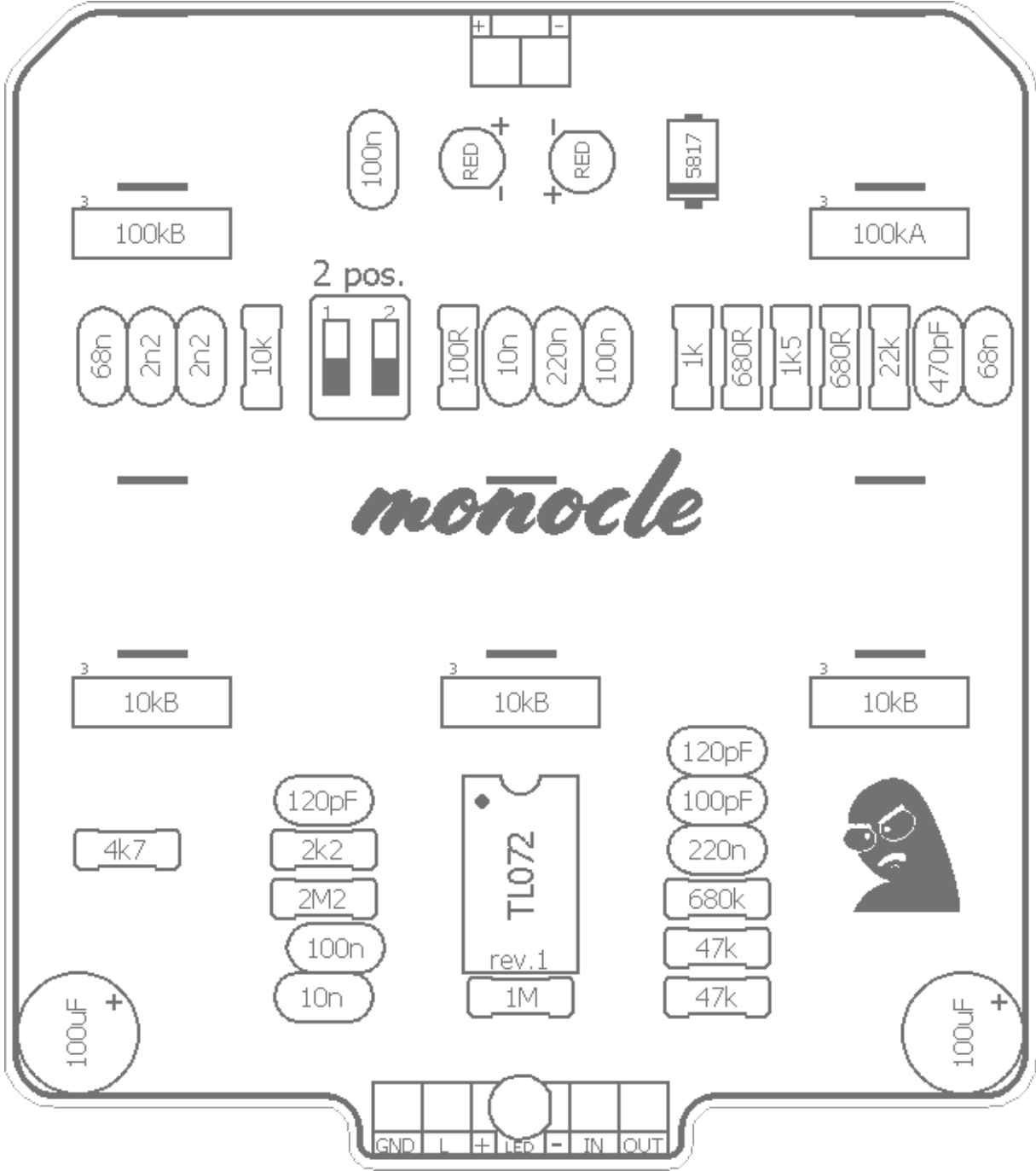
Self-explanatory

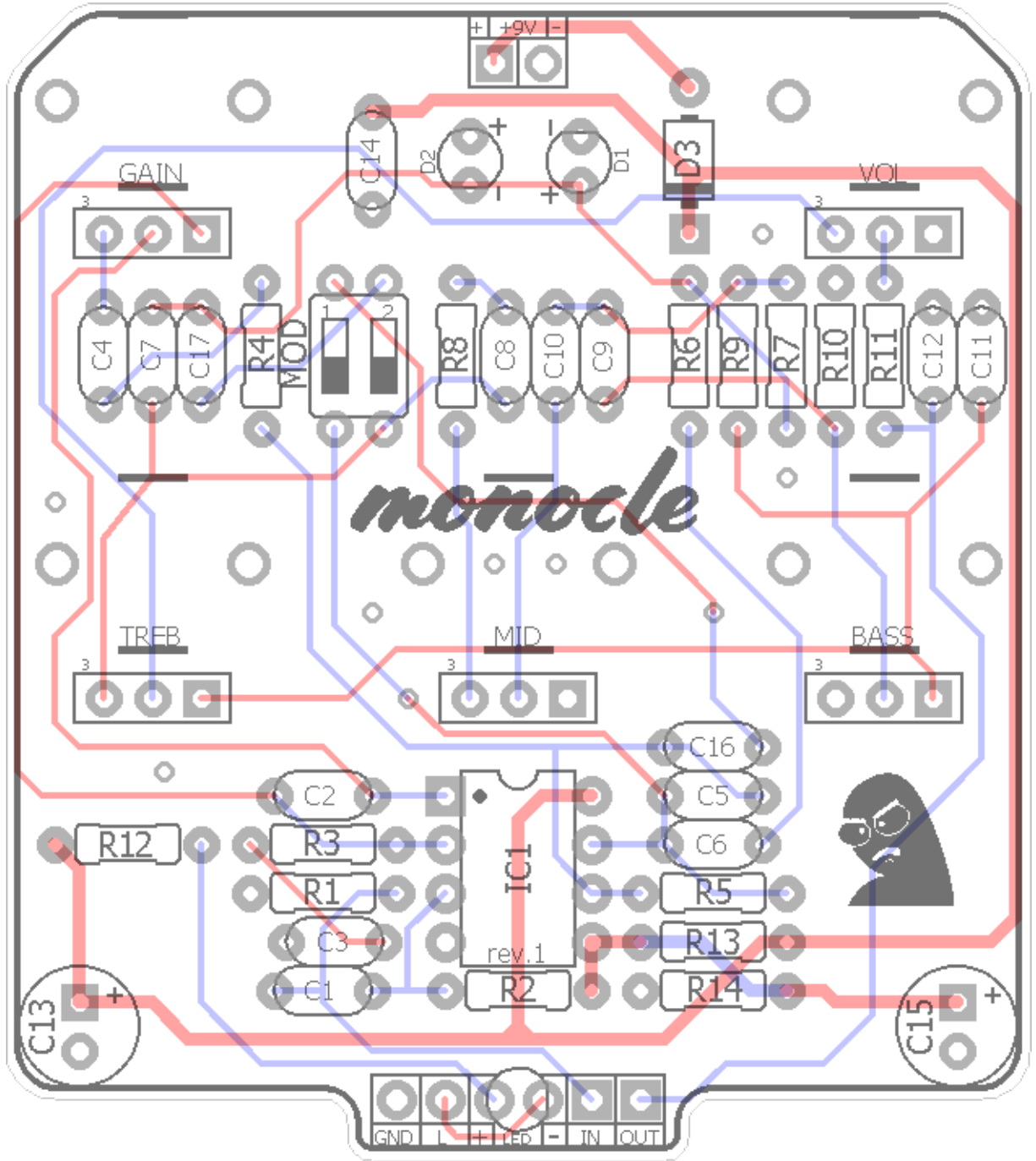
See notes about the dip switch

Terms of Use: You are free to use purchased **Monocle** circuit boards for both DIY and small commercial operations. You may not offer **Monocle** PCBs for resale or as part of a "kit" in a commercial fashion. Peer to peer re-sale is fine, though.

Technical assistance for your build(s) is available via the [madbeanpedals forum](https://www.madbeanpedals.com/forum). Please go there rather than emailing me for assistance on [builds](#). This is because (1) I'm not always available to respond via email in a timely and continuous manner, and (2) posting technical problems and solutions in the forum creates a record from which other members may benefit.







| Resistors | | Caps | | Diodes | |
|-----------|------|------|-------|--------|------------|
| R1 | 2M2 | C1 | 10n | D1 | RED LED |
| R2 | 1M | C2 | 120pF | D2 | RED LED |
| R3 | 2k2 | C3 | 100n | D3 | 1n5817 |
| R4 | 10k | C4 | 68n | IC | |
| R5 | 680k | C5 | 100pF | IC1 | TL072 |
| R6 | 1k | C6 | 220n | Switch | |
| R7 | 1k5 | C7 | 2n2 | MOD | 2 pos. DIP |
| R8 | 100R | C8 | 10n | Pots | |
| R9 | 680R | C9 | 100n | BASS | 10kB |
| R10 | 680R | C10 | 220n | MID | 10kB |
| R11 | 22k | C11 | 68n | TREB | 10kB |
| R12 | 4k7 | C12 | 470pF | GAIN | 100kB |
| R13 | 47k | C13 | 100uF | VOL | 100kA |
| R14 | 47k | C14 | 100n | | |
| | | C15 | 100uF | | |
| | | C16 | 120pF | | |
| | | C17 | 2n2 | | |

| Value | QTY | Type | Rating |
|--------|-----|---------------------------------|----------|
| 100R | 1 | Carbon / Metal Film | 1/4W |
| 680R | 2 | Carbon / Metal Film | 1/4W |
| 1k | 1 | Carbon / Metal Film | 1/4W |
| 1k5 | 1 | Carbon / Metal Film | 1/4W |
| 2k2 | 1 | Carbon / Metal Film | 1/4W |
| 4k7 | 1 | Carbon / Metal Film | 1/4W |
| 10k | 1 | Carbon / Metal Film | 1/4W |
| 22k | 1 | Carbon / Metal Film | 1/4W |
| 47k | 2 | Carbon / Metal Film | 1/4W |
| 680k | 1 | Carbon / Metal Film | 1/4W |
| 1M | 1 | Carbon / Metal Film | 1/4W |
| 2M2 | 1 | Carbon / Metal Film | 1/4W |
| 100pF | 1 | Ceramic / MLCC | 16v min. |
| 120pF | 2 | Ceramic / MLCC | 16v min. |
| 470pF | 1 | Ceramic / MLCC | 16v min. |
| 2n2 | 2 | Film | 16v min. |
| 10n | 2 | Film | 16v min. |
| 68n | 2 | Film | 16v min. |
| 100n | 3 | Film | 16v min. |
| 220n | 2 | Film | 16v min. |
| 100uF | 2 | Electrolytic | 16v min. |
| LED | 2 | RED diffused | 5mm |
| 1n5817 | 1 | | |
| TL072 | 1 | | |
| DIP | 1 | 2 positions, 7.5mm lead spacing | |
| 10kB | 3 | PCB mount, Metal Shaft | 9mm |
| 100kB | 1 | PCB mount, Metal Shaft | 9mm |
| 100kA | 1 | PCB mount, Metal Shaft | 9mm |

DIP (2-pos):

1. <https://smallbear-electronics.mybigcommerce.com/dip-switch-2-position/>
2. <https://stompboxparts.com/switches/dip-switch-2-position/>

9mm Right Angle Pots:

1. <https://smallbear-electronics.mybigcommerce.com/alpha-single-gang-9mm-right-angle-pc-mount/>
2. <https://stompboxparts.com/pots/9mm-potentiometer/>
3. <https://www.taydaelectronics.com/catalogsearch/result/?q=9mm+potentiometer>

DC Jacks:

1. <https://smallbear-electronics.mybigcommerce.com/2-1-mm-all-plastic-round/>
2. <https://stompboxparts.com/power-connections/dc-power-jack-2-1mm-low-profile/>
3. <https://lovemyswitches.com/thinline-lumberg-dc-power-jack-2-1mm/>

1/4" jacks:

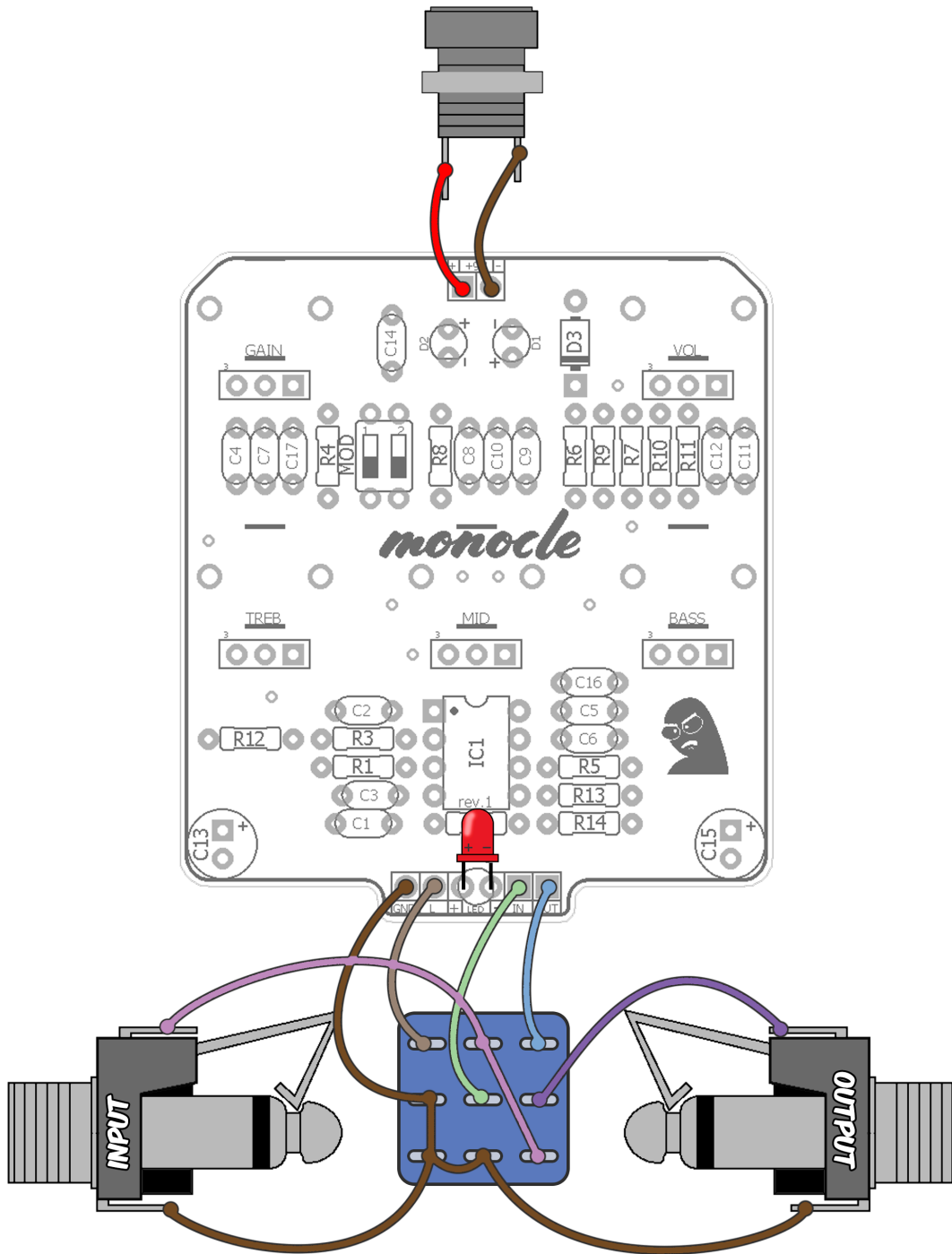
1. <https://smallbear-electronics.mybigcommerce.com/1-4-in-mono-nys229/>
2. <https://smallbear-electronics.mybigcommerce.com/1-4-in-mono-switchcraft-11/>
3. <https://lovemyswitches.com/1-4-mono-jack-lumberg-klbm-3/>
4. <https://lovemyswitches.com/1-4-mono-jack-neutrik-rean-nys229/>

My preferred 3PDT switch:

<https://lovemyswitches.com/pro-3pdt-latched-foot-switch-solder-lugs-feather-soft-click/>

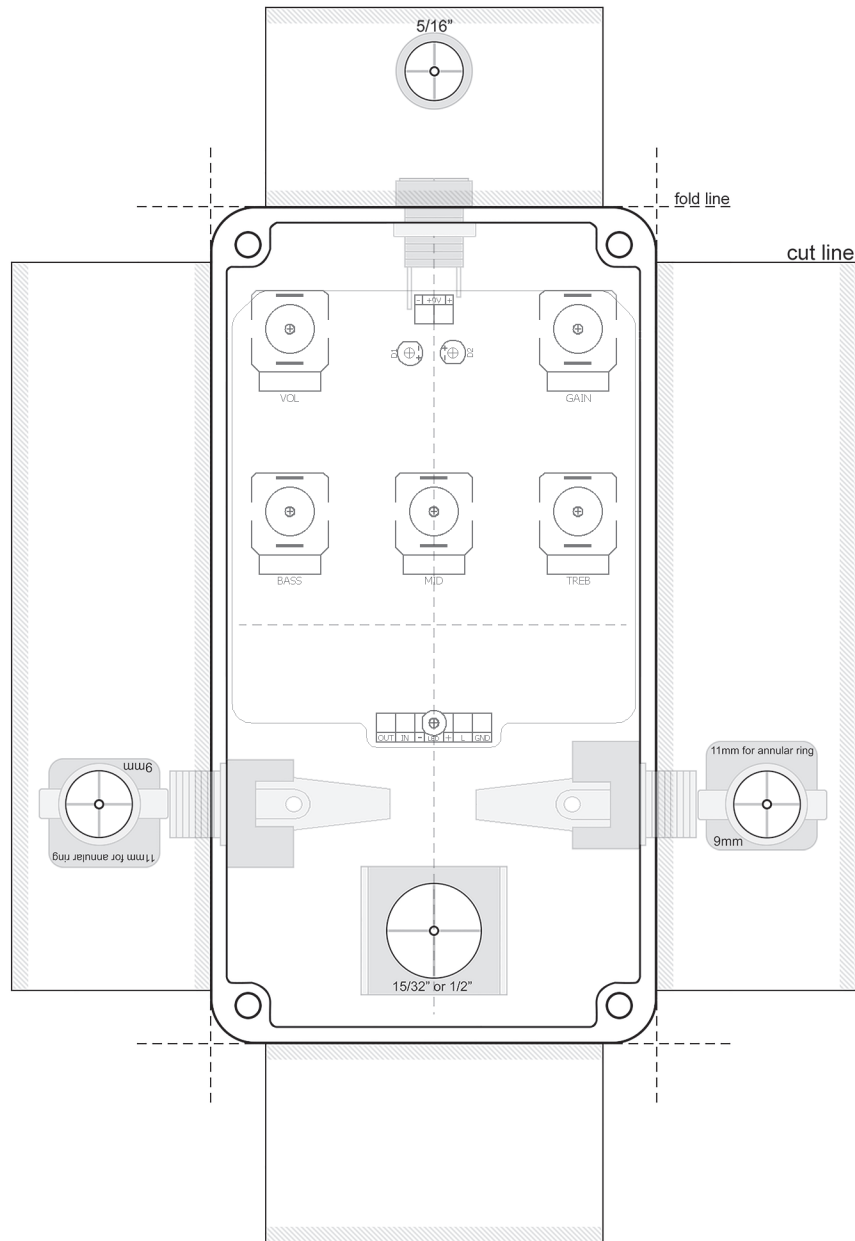
The Guv'nor™ sounds great on its own but I did include one mod for fun. The 2 position dip switch allows you to choose different amounts of brightness in the circuit. In the stock setting, C5 is 220pF and C7 is 4n7. Breaking these into two switchable paralleled capacitors gives four options. When the switches are set to “on” you have the stock circuit. When off, the capacitor values are reduced. It's a subtle difference but does provide a bit of variety.

If you prefer to just build the Monocle stock, then use 220pF for C5 and 4n7 for C7 and solder in a jumper for each switch position.



The bypass LED is soldered directly to the PCB.

Note: Drill Guides are approximate and may require tweaking depending on the types of jacks, switches and pots you use.



| IC1 | TL072 |
|-----|-------|
| 1 | 4.64 |
| 2 | 4.64 |
| 3 | 4.26 |
| 4 | 0 |
| 5 | 4.65 |
| 6 | 4.66 |
| 7 | 4.75 |
| 8 | 9.27 |

9.5v One Spot
Current Draw: ~4mA

