

B.O.M.

Resistors

R1	1M
R2	1M
R3	100k
R4	390R
R5	4k7
R6	4k7

Caps

C1	47n
C2	220n
C3	100n
C4	47uF
C5	100n

Diodes

D1	1N5817
----	--------

Transistors

Q1	2N5088
----	--------

Switches

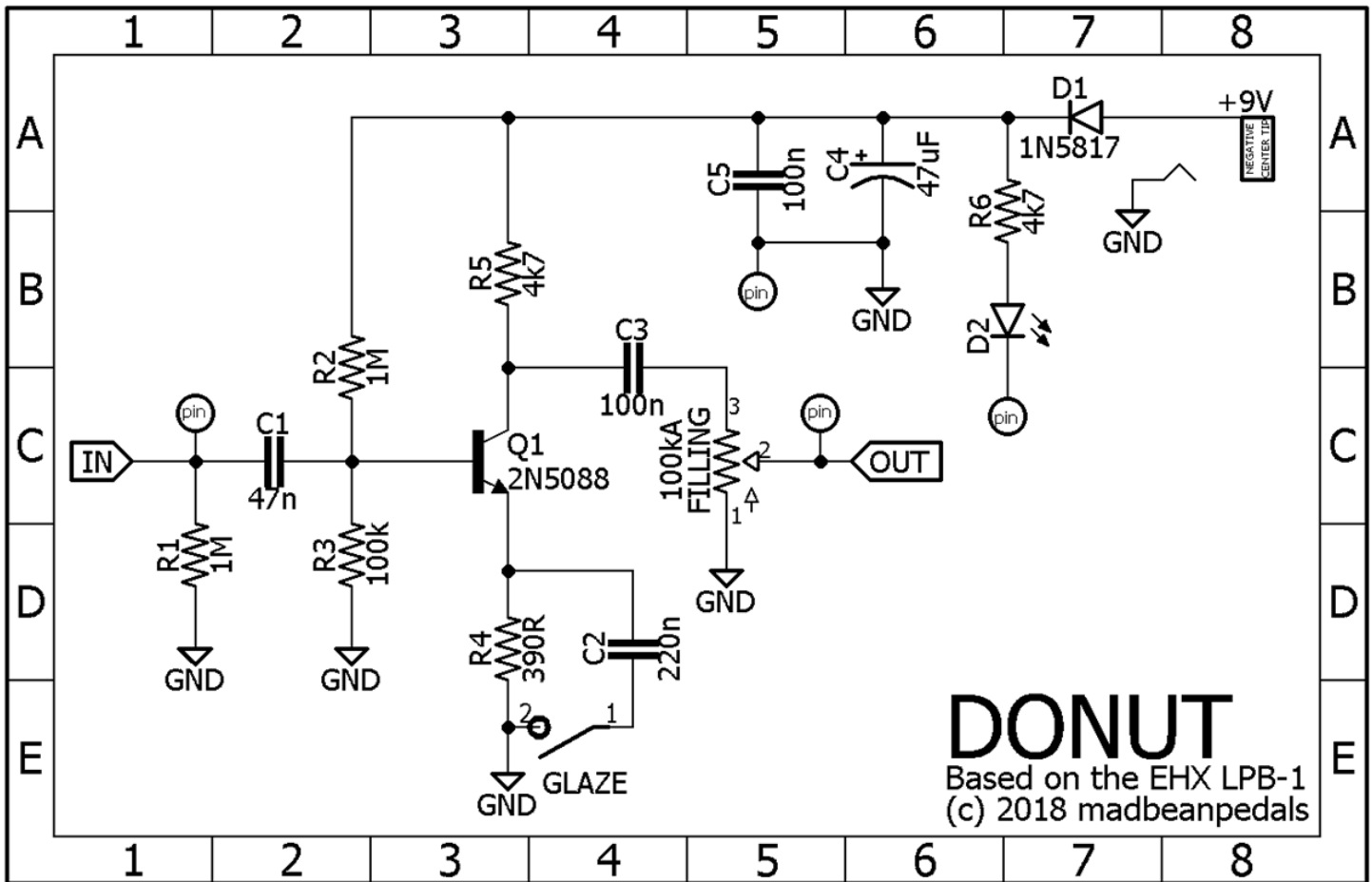
GLAZE	SPDT
-------	------

Pots

FILLING	100kA
---------	-------

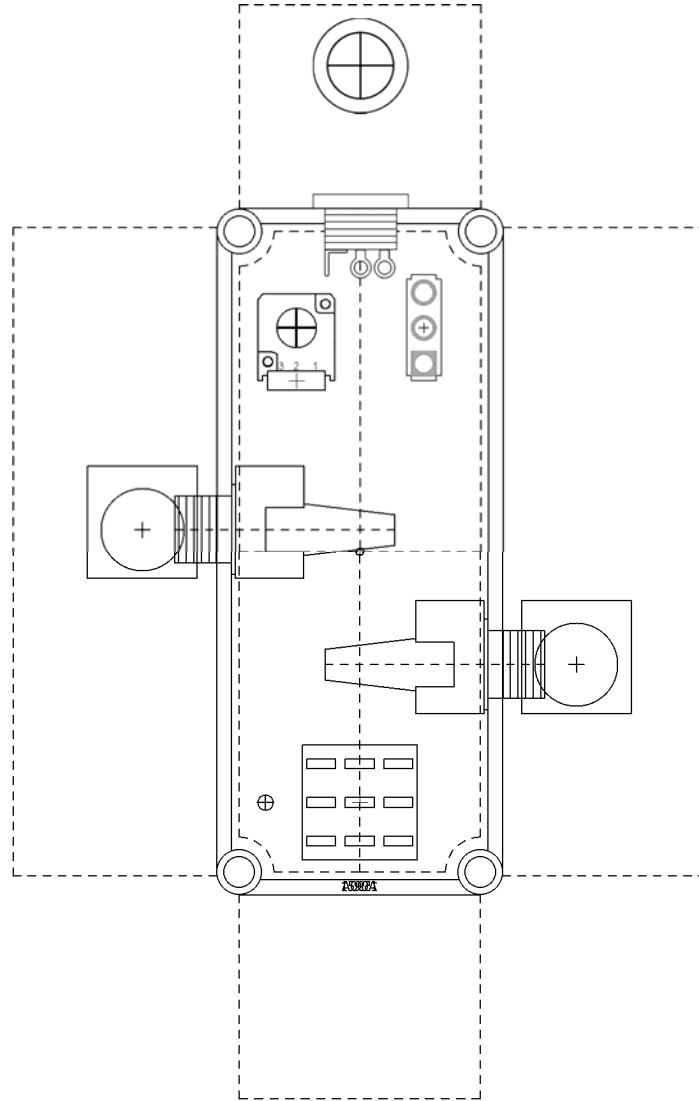
Shopping List

Value	QTY	Type	Rating
390R	1	Metal / Carbon Film	1/8W
4k7	2	Metal / Carbon Film	1/8W
100k	1	Metal / Carbon Film	1/8W
1M	2	Metal / Carbon Film	1/8W
47n	1	Film	16v min.
100n	2	Film	16v min.
220n	1	Film	16v min.
47uF	1	Electrolytic	16v min.
1N5817	1		
2N5088	1		
SPDT	1	On/On	
100kA	1	PCB or Solder Lug	9mm or 12mm



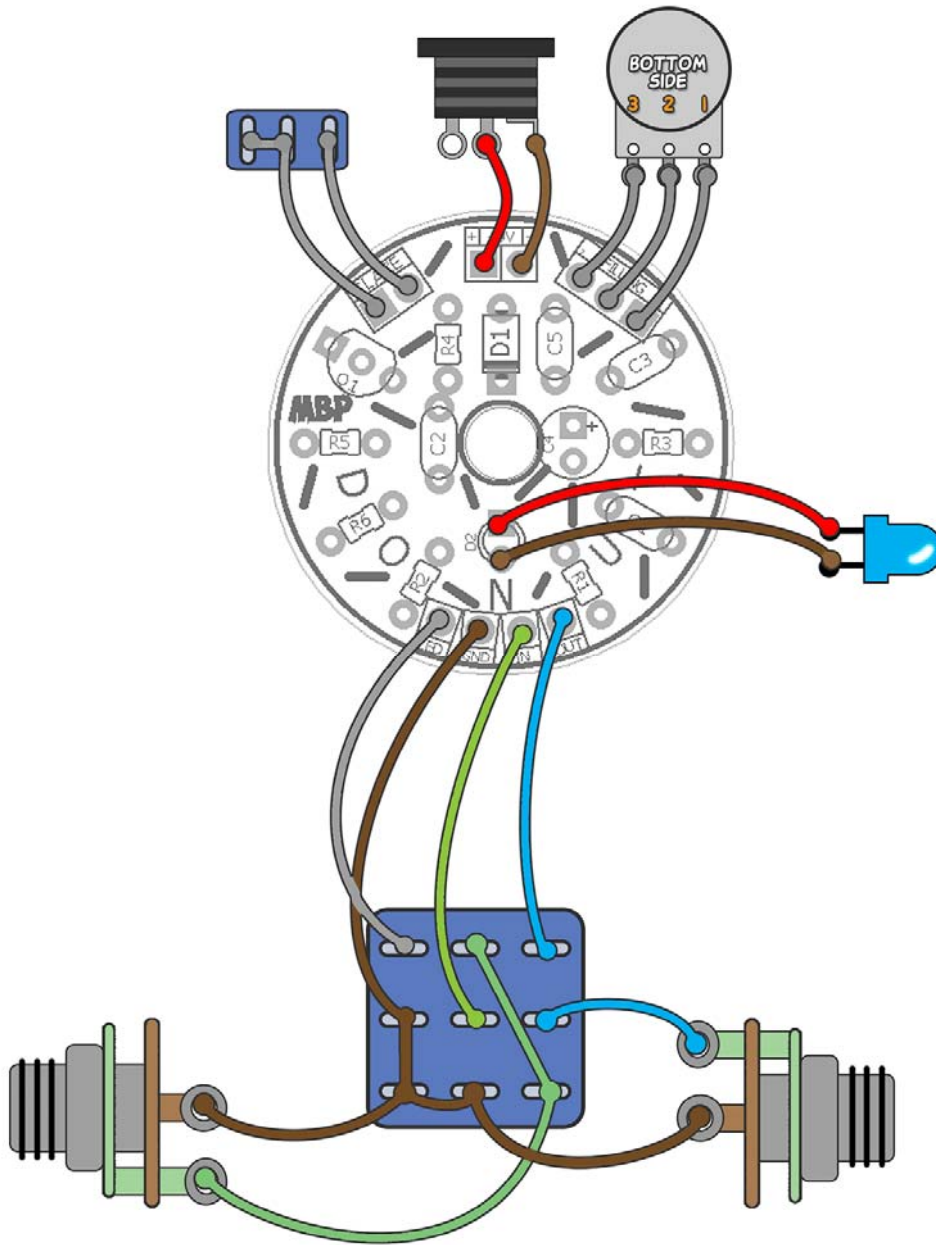
1590A Drill Guide

3.63" H x 5.71" W



Photoshop file: http://www.madbeanpedals.com/projects/Donut/Donut_DRILL.zip

Wiring Guide



The **Donut** is my take on the EHX® LPB-1™. It's a simple one transistor boost. It makes your wiggly waggalies and plinkity plunkities more louder.

Controls

Filling – Sets the total volume output.

Glaze – Louder. More pick attack and treble.

Notes

Changes from stock:

- R2/R3 is 1M/100k instead of 430k/43k (more typical values).
- C1 changed from 100n to 47n to keep the same LPF created by stock 100n/43k filter.
- Added the switch and 220n bypass cap for more aggressive boost.
- Reduced R5 from 10k stock to 4k7. This reduces the total amount of boost some, but also eliminates some of the crackling and jagged decay the 10k produced.

Voltages

Q1	5088
C	6.88v
B	0.77v
E	200mV

