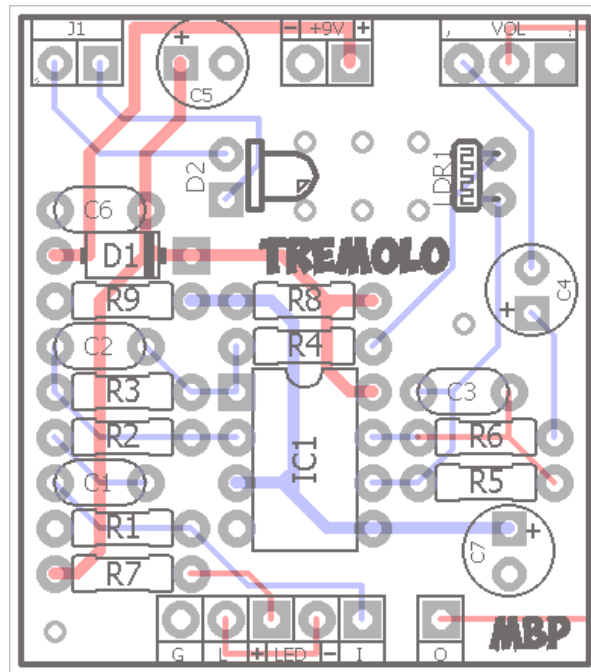
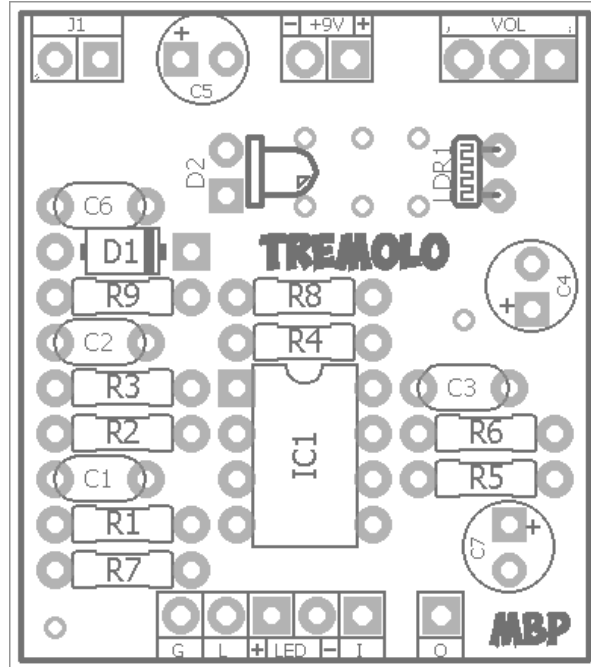


TREMOLO

FX TYPE: Modulation
© 2016 madbeanpedals

1.3" W x 1.475" H



Terms of Use: You are free to use purchased circuit boards for both DIY and small commercial operations. You may not offer these PCBs for resale or as part of a "kit" in a commercial fashion. Peer to peer re-sale is, of course, okay.

B.O.M.					
Resistors		Caps		Diodes	
R1	1M	C1	100n	D1	1N5817
R2	470k	C2	10pF	D2	3mm LED
R3	1M	C3	470pF	IC	
R4	470R	C4	4u7	IC1	TL072
R5	10k	C5	47uF	Photocell	
R6	470R	C6	100n	LDR1	9203
R7	4k7	C7	4u7	Pots	
R8	100k			VOL	100kB
R9	100k				

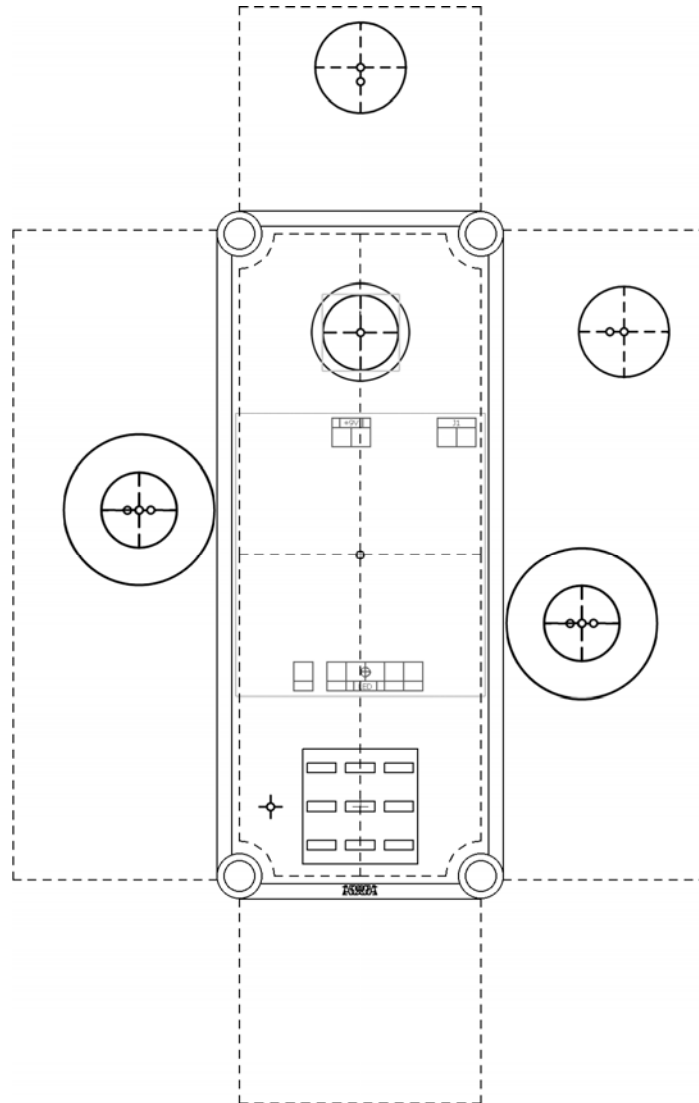
Shopping List				
Value	QTY	Type	Rating	
470R	2	Metal / Carbon Film	1/4W	
4k7	1	Metal / Carbon Film	1/4W	
10k	1	Metal / Carbon Film	1/4W	
100k	2	Metal / Carbon Film	1/4W	
470k	1	Metal / Carbon Film	1/4W	
1M	2	Metal / Carbon Film	1/4W	
10pF	1	Ceramic / MLCC	16v min.	
470pF	1	Ceramic / MLCC	16v min.	
100n	2	Film	16v min.	
4u7	2	Electrolytic	16v min.	
47uF	1	Electrolytic	16v min.	
1N5817	1			
LED	1	Red, Diffused		
TL072	1			
Photocell	1	9203		
100kB	1	PCB Mount	9mm	

Note – Be sure to use low profile electrolytic caps in all 1590A builds (5 to 7mm height max)

9203 photocell: <http://smallbear-electronics.mybigcommerce.com/photocells-cds-5mm-diameter/>
 9mm Pot: <http://smallbear-electronics.mybigcommerce.com/alpha-single-gang-9mm-pc-mount/>

1590A Drill Guide

3.63"W x 5.72"H



Download the Photoshop drill template:

http://www.madbeanpedals.com/projects/Tapanatorator/Tapnanator_DRILL.zip

Overview

The Tremolo project is designed exclusively for the Tapanator controller. It's a very familiar DIY tremolo design and is similar to the one used in the Dig Dug2.

There is only one control for the Tremolo - a volume.

A 9203 photocell is indicated for all the Tapanator projects. A VTL5C3 will also work. However, the 9203 is much cheaper than using a pre-made vactrol.

