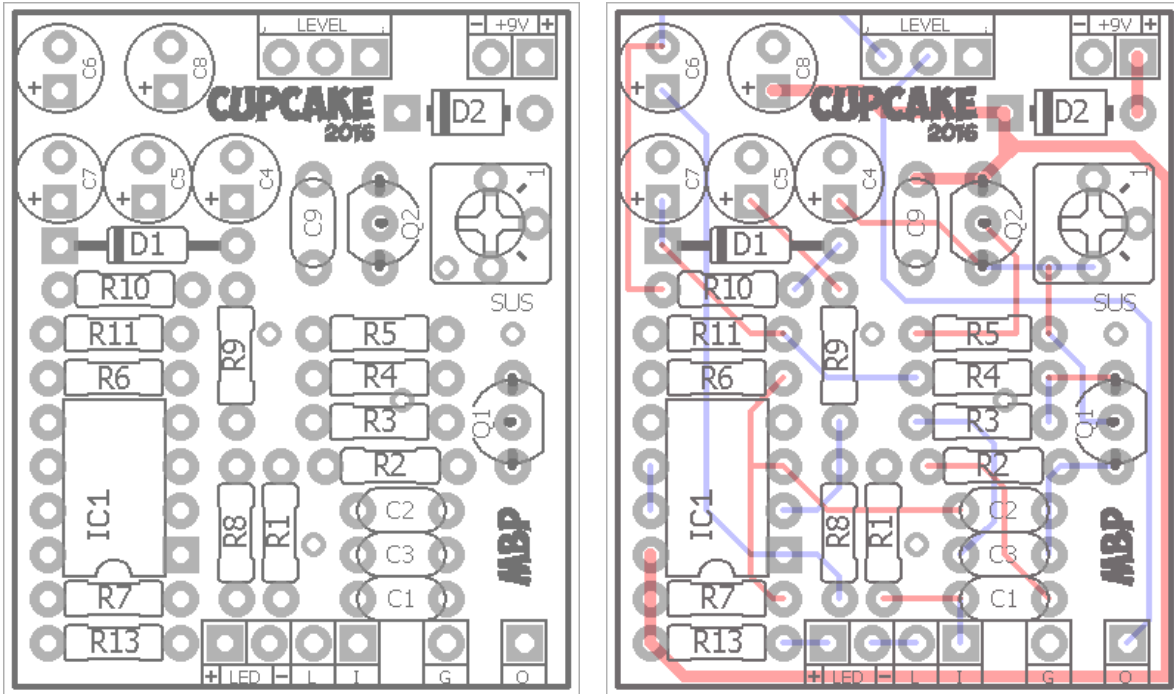


# CUPCAKE

FX TYPE: Compressor  
Based on the Orange Squeezer  
© 2016 madbeanpedals

1.3" W x 1.575" H (main PCB)



**Terms of Use:** You are free to use purchased **Cupcake** circuit boards for both DIY and small commercial operations. You may not offer **Cupcake** PCBs for resale or as part of a "kit" in a commercial fashion. Peer to peer re-sale is, of course, okay.

B.O.M.					
Resistors		Caps		Diodes	
R1	4M7	C1	47n	D1	1n34a
R2	82k	C2	47n	D2	1N5817
R3	470k	C3	2n2	Transistors	
R4	470k	C4	4u7	Q1, Q2	2N5457
R5	2k4	C5	4u7	IC	
R6	470k	C6	4u7	IC1	4558
R7	390k	C7	4u7	Trimmer	
R8	220k	C8	47uF	SUS	10k
R9	10k	C9	100n	Pot	
R10	1k5			LEVEL	10kB
R11	100k				
R13	4k7				

Shopping List			
Value	QTY	Type	Rating
1k5	1	Metal / Carbon Film	1/4W
2k4	1	Metal / Carbon Film	1/4W
4k7	1	Metal / Carbon Film	1/4W
10k	1	Metal / Carbon Film	1/4W
82k	1	Metal / Carbon Film	1/4W
100k	1	Metal / Carbon Film	1/4W
220k	1	Metal / Carbon Film	1/4W
390k	1	Metal / Carbon Film	1/4W
470k	3	Metal / Carbon Film	1/4W
4M7	1	Metal / Carbon Film	1/4W
2n2	1	Film	16v min.
47n	2	Film	16v min.
100n	1	Film	16v min.
4u7	4	Electrolytic	16v min.
47uF	1	Electrolytic	16v min.
1n34a	1		
1N5817	1		
2N5457	2		
4558	1		
10k	1	Bourns 3362P	
10kB	1	9mm, 12mm or 16mm	

Reminder: Baby Boards require low-profile Electrolytic caps (max height 5 or 7mm) to fit in a 1590A.

There is no R12 resistor on the PCB.

## Overview

The **Cupcake** is a clone of the Dan Armstrong “Orange Squeezer”. It is a classic and easy-to-build compressor project suitable for all levels of DIYers. The Cupcake offers a wide range of compressed tones, an easily identifiable character, and is very inexpensive to build. This version of the PCB is suitable for both 1590A and 1590B builds. The 2016 has only minor adjustments to the previous layout.

## Notes

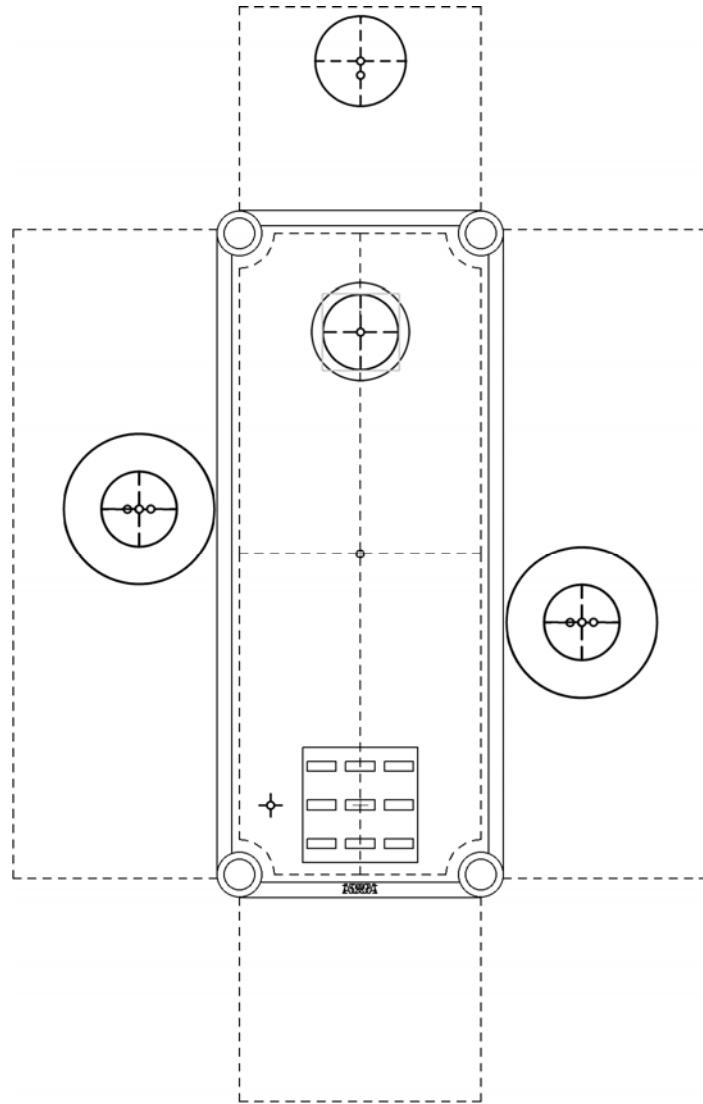
The SUS trim pot adjusts the maximum compression allowed. As you turn up the SUS trimpot the compression level increases. Noise and distortion will also increase. Set this trimmer at a point where you get the most compression with the least amount of noise and distortion. You can use an external 10kΩ pot in place of the trimmer if you want but this control is generally considered “set and forget”.

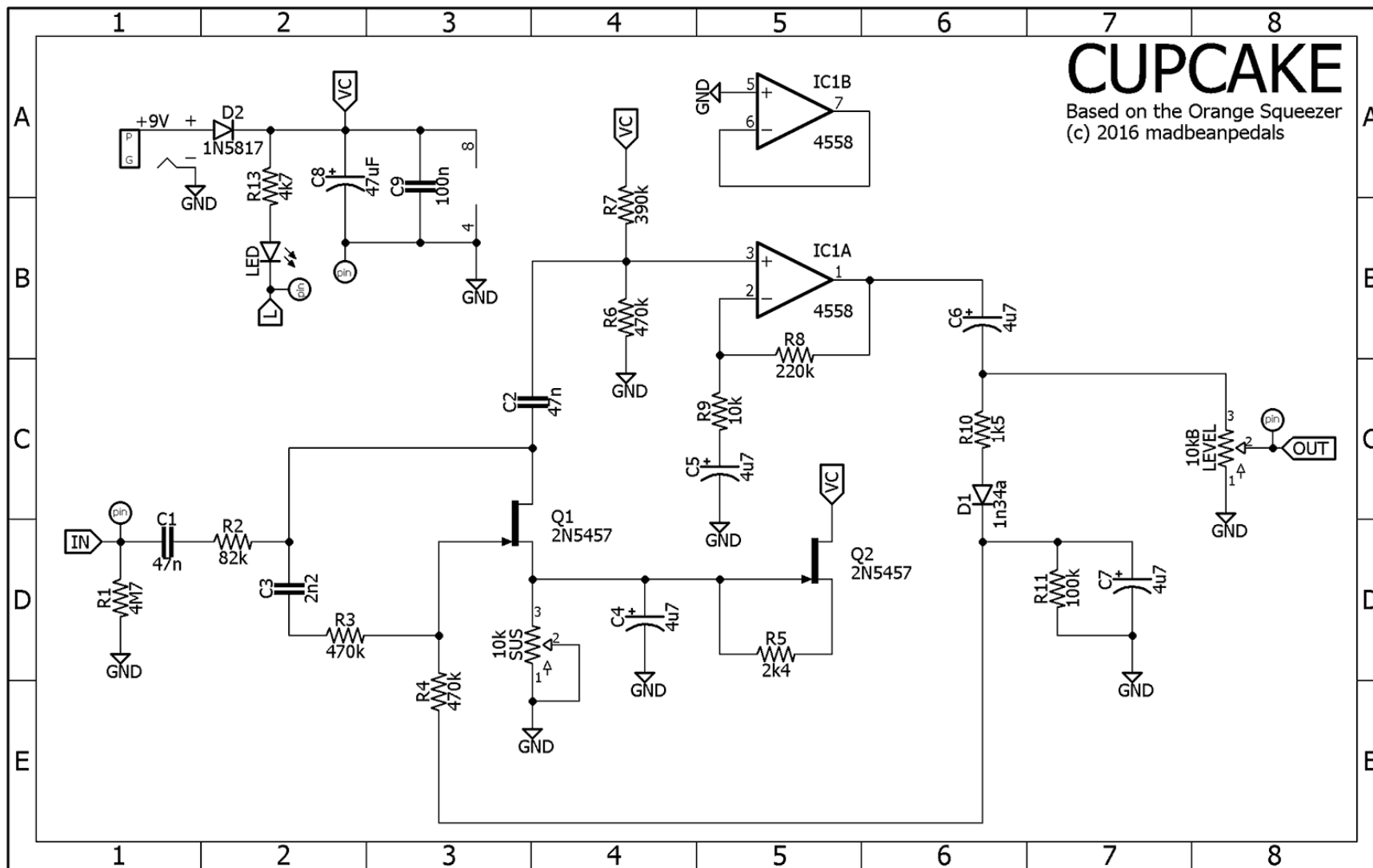
Wiring for the Cupcake follows the general wiring diagram:

[http://www.madbeanpedals.com/tutorials/downloads/MBP\\_FootswitchWiring.pdf](http://www.madbeanpedals.com/tutorials/downloads/MBP_FootswitchWiring.pdf)

# 1590A Drill Guide

3.63"W x 5.7"H





# CUPCAKE

Based on the Orange Squeezer  
(c) 2016 madbeanpedals