



SNACK SHACK 2019

FX TYPE: Fuzz

Based on the D.A.M.® Meathead™

It's a fuzz. It has one control.

Controls

Dirt: It's the one that makes the fuzz part louder.

Notes

It requires parts.

Parts

Resistors		Caps		Diodes		Value	Qty	Type	Rating
R1	1M	C1	10n	D1	1N5817	820R	1	Metal / Carbon Film	1/4W
R2	18k	C2	470pF	Transistors		1k	1	Metal / Carbon Film	1/4W
R3	120k	C3	47pF	Q1	2n3904	4k7	2	Metal / Carbon Film	1/4W
R4	1k	C4	10uF	Q2	BC182L	18k	1	Metal / Carbon Film	1/4W
R5	4k7	C5	22n	Pot		120k	1	Metal / Carbon Film	1/4W
R6	820R	C6	47uF	DIRT	500kB	1M	1	Metal / Carbon Film	1/4W
R7	4k7	C7	100n			47pF	1	Ceramic / MLCC	
						470pF	1	Ceramic / MLCC	
						10n	1	Film	
						22n	1	Film	
						100n	1	Film	
						10uF	1	Electrolytic	
						47uF	1	Electrolytic	
						1N5817	1		
						2n3904	1		
						BC182L	1		
						500kB	1	9, 12 or 16mm	

2n3904: <http://smallbear-electronics.mybigcommerce.com/transistor-2n3904/>

BC182: <http://smallbear-electronics.mybigcommerce.com/transistor-national-bc182/>

10uF, 100uF: <http://smallbear-electronics.mybigcommerce.com/electrolytic-radial-low-profile-16v-1-f-100-f/>

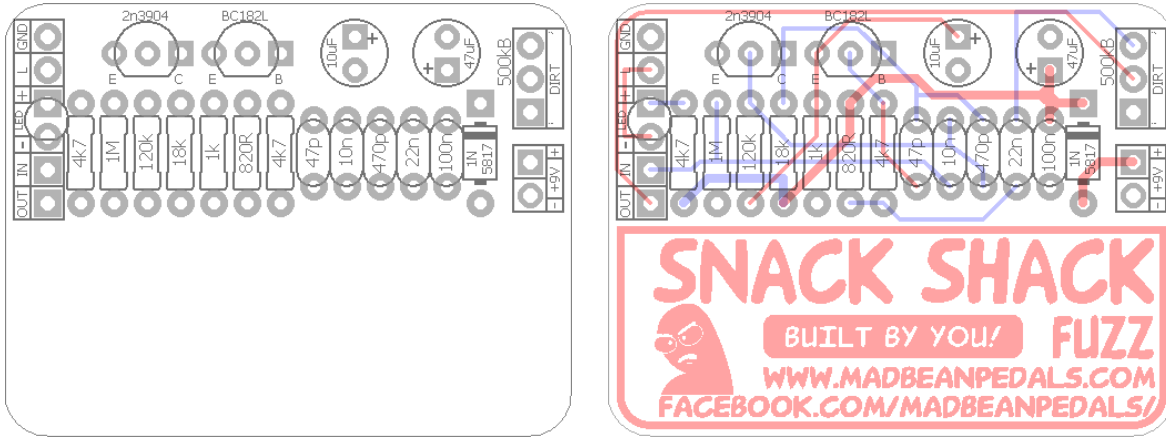
9mm pot: <http://smallbear-electronics.mybigcommerce.com/alpha-single-gang-9mm-pc-mount/>

12mm pot: <http://smallbear-electronics.mybigcommerce.com/alpha-single-gang-12mm-solder-terms/>

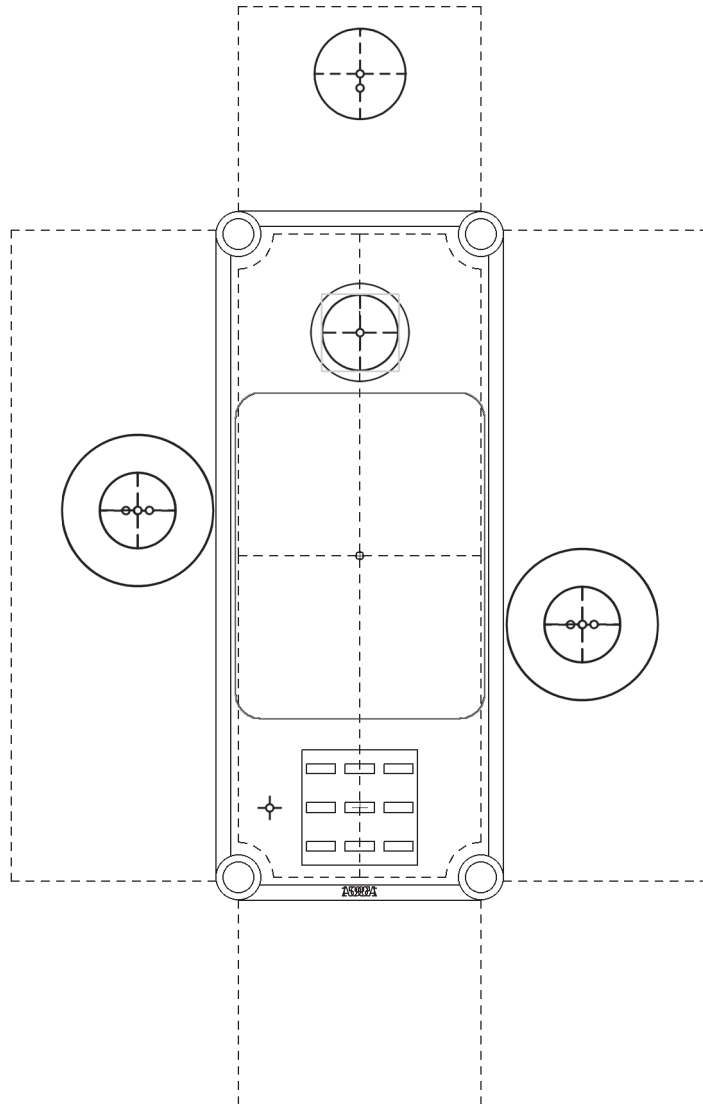
16mm pot: <http://smallbear-electronics.mybigcommerce.com/alpha-single-gang-16mm-solder-terms-linear-audio-taper/>

Terms of Use: You are free to use **SnackShack** circuit boards for both DIY and small commercial operations. You may not offer **SnackShack** PCBs for resale or as part of a "kit" in a commercial fashion. Peer to peer re-sale is fine, though.

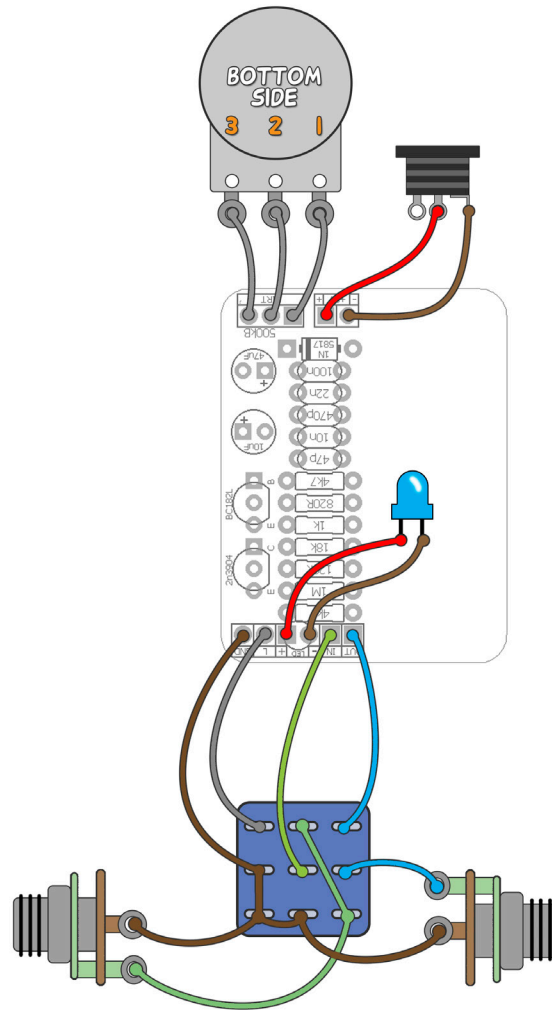
Layout



1590A Drill Guide



Wiring



Schematic

