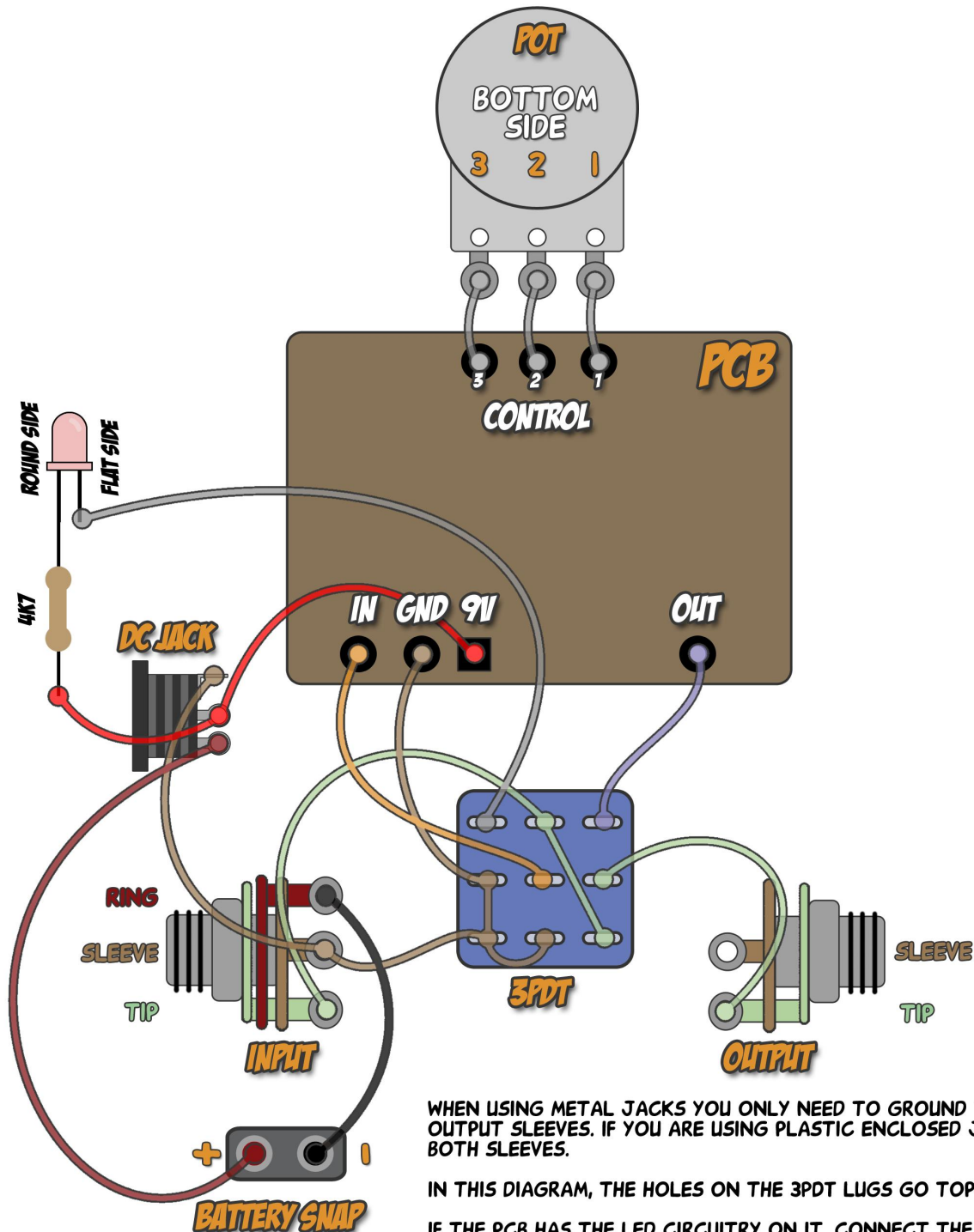


# STANDARD WIRING DIAGRAM FOR MADBEANPEDALS PROJECTS



WHEN USING METAL JACKS YOU ONLY NEED TO GROUND THE INPUT OR OUTPUT SLEEVES. IF YOU ARE USING PLASTIC ENCLOSED JACKS, GROUND BOTH SLEEVES.

IN THIS DIAGRAM, THE HOLES ON THE 3PDT LUGS GO TOP TO BOTTOM.

IF THE PCB HAS THE LED CIRCUITRY ON IT, CONNECT THE "SW" PAD FROM THE PCB TO THE TOP LEFT LUG ON THE 3PDT INSTEAD.

ALWAYS PAY ATTENTION TO WHICH ORIENTATION THE PCB INDICATES FOR THE CONTROL POTS. 3-2-1 MEANS THE SHAFT FACES DOWN. 1-2-3 MEANS THE SHAFT IS UP (FACING YOU).

REMEMBER: ROCK IT BEFORE YOU BOX IT! DON'T WIRE UP YOUR PROJECT UNLESS YOU TEST IT OUT FIRST. IF THERE'S A PROBLEM, YOU NEED TO FIX IT BEFORE PUTTING IT IN YOUR BOX!! REALLY :)

